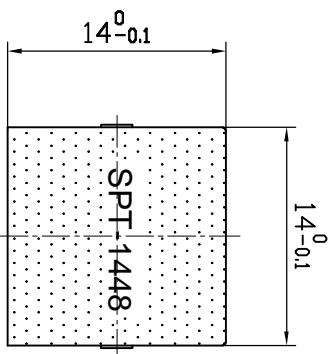
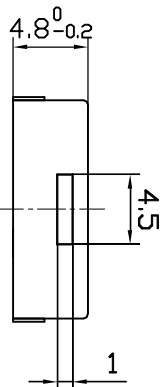
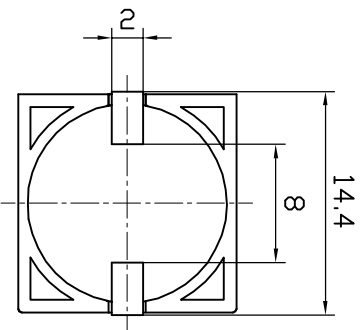


SPECIFICATION

- 1. Rated Voltage 12Vp-p Square Wave
- 2. Max. Allowable Voltage 30Vp-p Square Wave
- 3. Max. Rated Current 2mA at 4.0KHz/12Vp-p Square Wave
- 4. Min. Sound Pressure Level.... 85dB at 4.0KHz/12Vp-p Square Wave/10cm
- 5. Capacitance at 100Hz 10000pF±30%
- 6. Resonant Frequency 4.0±0.5KHz
- 7. Shell Material/Color..... PPS/Black
- 8. Operating Temperature -20~+80°C
- 9. Store Temperature -30~+100°C
- 10. Weight 1g



		SCALE: NOT TO SCALE SHEET: VER. 1.0	
KEPO NINGBO KEPO ELECTRONIC CO.,LTD http://www.chinaco.usfic.com		Piezo transducer QUARTZ-1LTD SPT-1448-1060	
No.	DESCRIPTION	APPROVED	DATE
DESIGNER/INCHES NOTED OTHERWISE XX XX XXX	DRAWN	APPROVALS	DATE
90° ANGLE 1:1	CHECKED		
FIRST ANGLE PROJECTION	APPROVED		05.08.01
	UNIT	DWG/NO.	OEM1060
	mm		